



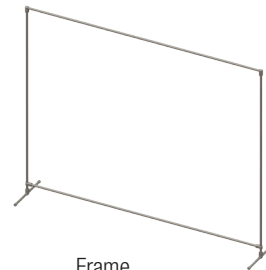
Premier Stand is the toughest display stand in the industry. They are made from strong 1.25" anodized aluminum tubing and metal connection joints. They are great for heavy show use, visual barriers, or backdrops.

- Compact
- Durable
- Numerous Sizes
- Replaceable Graphic

Hassle Free Guarantee

If it breaks, we'll fix it!*

INCLUDED COMPONENTS



Frame
Available in Silver



Hex Wrench

ACCESSORIES



Nylon Carrying Bag

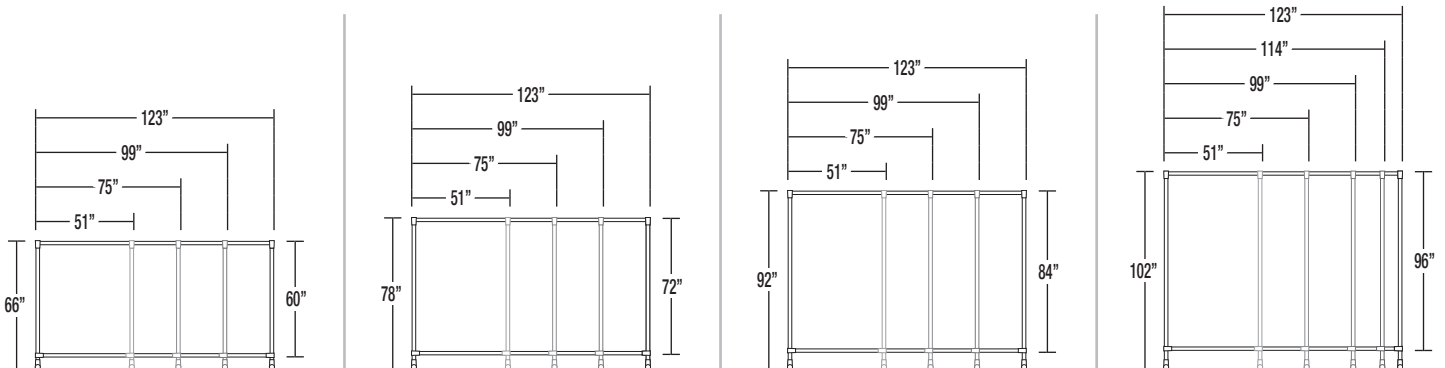


Light Package
50 watt Halogen Light,
Fixture



Slim Line Corner Joint

SIZES



17 Frame & Graphic Sizes Available