

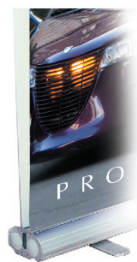


**Retractable Banner Stand**



**Classic 1™**  
Single Sided

**Classic 2™**  
Double Sided  
(not available in 47.2" size)



Classic 1 & 2™ retractable banner stands provide the ultimate in convenience and style. They are lightweight and set-up in seconds. The graphic comes pre-installed so the display is immediately ready to go.

- Quick & Easy Set-up
- Quality Workmanship
- Replaceable Graphic

### Hassle Free Guarantee

If it breaks, we'll fix it!\*

#### INCLUDED COMPONENTS



Durable Nylon Carrying Bag



Rewind Tool



Base Unit  
Available in Silver & Black

Snap-lock Profile



Adjustable Graphic Pole

#### ACCESSORIES



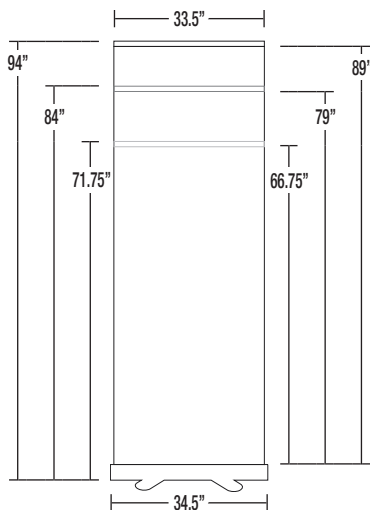
Hard Case†



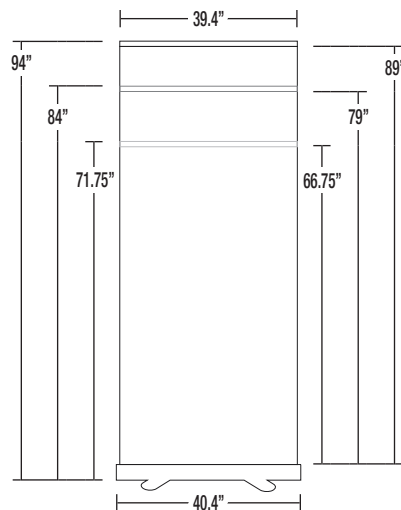
Light Package  
Nylon Bag, 50W bulb,  
and Light Fixture

†Fits 33.5" and 39.4" sizes.

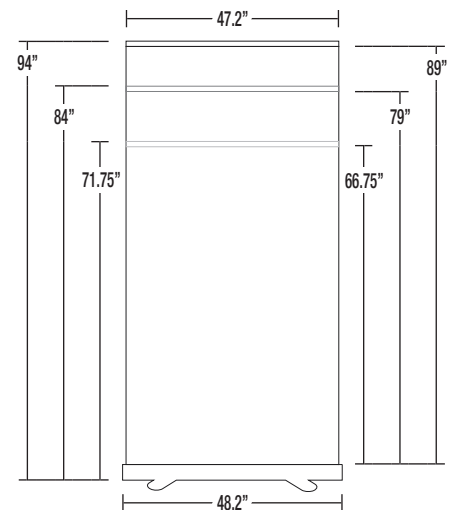
#### SIZES



Pole Height & Graphic are Adjustable



Pole Height & Graphic are Adjustable



Pole Height & Graphic are Adjustable

Note: Refer to templates for art layout. Note: Graphic Pole can adjust to fit any size graphic between 66.75" and 91".